



WOOD CHIPPER X28i off-road

MAX. POWER

28 HP

MAXIMUM BRANCH DIAMETER

140 mm

WOOD CHIP PRODUCTION

8.5 m³/h


[Gallery](#)
[Description](#)
[Tech specs](#)

Designed for towing behind a small tractor or quad.

Intended for large areas with plenty of trees such as golf courses, private estates, parks and nature reserves.

For land and private road use with maximum towing speed up to 15 km/h (9mph).

Available for all X-SERIES™ models.



Description

SKARPER® X-SERIES™ professional compact wood chippers are meticulously engineered for outstanding performance with minimal operator effort. These machines are designed to not only save you time and energy but also to elevate your wood chipping experience. Going beyond industry standards, our exceptional wood chipper delivers unmatched speed, power, durability, versatility, safety and some cutting-edge features you will find nowhere else, transforming every aspect of your wood chipping tasks.

SKARPER
X28i
off-road

MAX. POWER

28 HP

MAXIMUM BRANCH
DIAMETER

140

mm

WOOD CHIP PRODUCTION

Key Features:

1. Unmatched Power and Speed: Our wood chipper is an industry powerhouse, boasting unparalleled speed and power. It effortlessly transforms branches, twigs, and brush into valuable wood chips at record-breaking rates.

2. Rugged Stainless Steel Construction: Built for longevity, our chipper incorporates everlasting stainless steel components, ensuring durability and resistance to wear and tear, guaranteeing years of reliable use.

3. Tool-Less Maintenance: Say goodbye to time-consuming maintenance procedures. Most common maintenance tasks are tool-less, making it the chipper with the fastest and easiest upkeep in its class.

4. Highly Modular and Robust Zinc-Plated Frame: Our chipper boasts a highly modular and robust zinc-plated frame, empowering owners to mount an extensive array of add-ons. Customize your chipper to your exact needs and conquer diverse tasks with ease.

5. Robust and Ergonomic Design: The feed hopper is constructed with robust materials, featuring a low feeding height for ergonomic and comfortable operation.

6. Premium Components: We exclusively use the best parts from world-leading companies in the sector, ensuring the highest quality and performance standards.

7. Custom Engine and Chassis Selection: Tailor your chipper precisely to your requirements by selecting from five different engine options and three chassis configurations. Swap engines and chassis to adapt to various project demands.

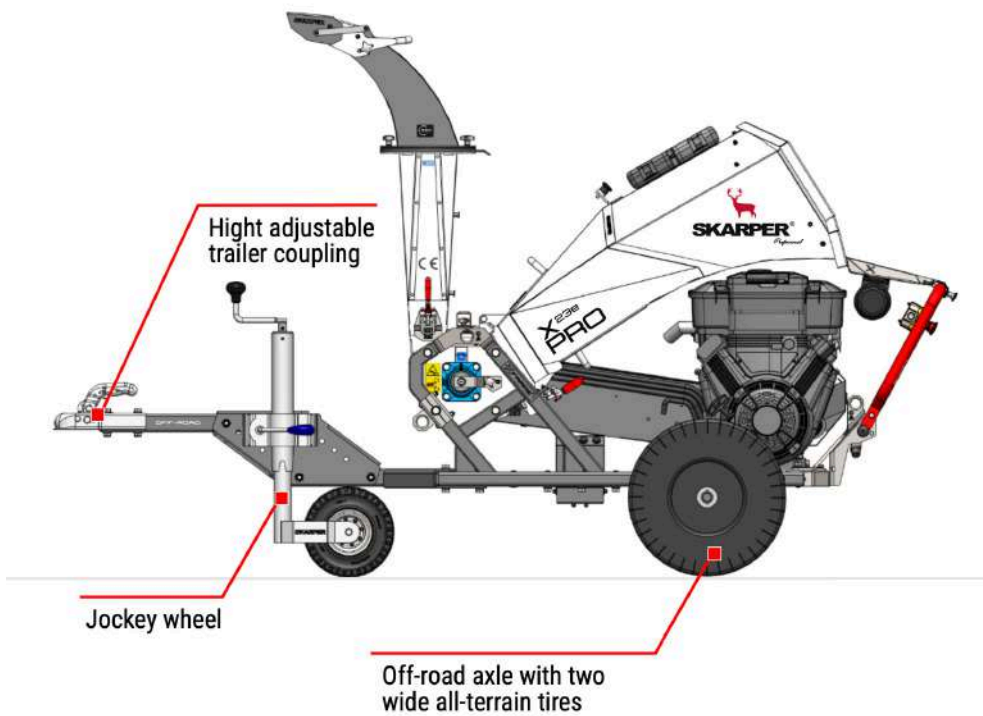
8. Largest Feed Hopper Opening in its Class: Our wood chipper features the largest feed hopper opening in its class, simplifying the loading process and enhancing efficiency.

9. Latest Safety Standards: Committed to safety, our chipper meets the latest safety standards, providing you with peace of mind while operating the machine.

10. Perfect Stability: Enjoy perfect stability during operation, ensuring precise and efficient wood processing tasks.

Tech specs

Off-Road



- » Designed for towing behind a small tractor or quad.
- » Intended for large areas with plenty of trees such as golf courses, private estates, parks and nature reserves.
- » For land and private road use with maximum towing speed up to 15 km/h (9mph).
- » Available for all X-SERIES™ models.

CHASSIS

Chassis version	off-road
Chassis type	towable
Wheel drive	N/A

PERFORMANCE

Power	28 HP
Maximum branch diameter	140 mm
Wood chip production	8.5 m ³ /h

ENGINE

Type	Honda iGX800
Fuel system	electronic fuel injection
Cylinders	2
Displacement	779 cm ³
Max. power	18.6 kW
Maximum rpm	3600 / min
Fuel tank type	external
Fuel tank capacity	10 / 20 l
Engine start	electric
Battery	12 V

DESIGN

Transport dimensions (L x W x H)	2325 x 1125 x 1275 [mm]
	91.54 x 44.29 x 50.2 [inch]
Operation dimensions (L x W x H)	2521 x 1125 x 1588 [mm]
	99.25 x 44.29 x 62.52 [inch]

Weight	320 kg 705.48 lbs
Feeding height	830 mm
Discharge height	1575 mm
Feed hopper opening (W x H)	745 x 730 [mm] 29.33 x 28.74 [inch]
Chipping blades	2
Counter blade	1
Chipping rotor width	432 mm
OPTIONAL EQUIPMENT	
Winch PRO system	✓
Spout extension 30 cm	✓
Accessory holder with 10 liter fuel can	✓
Accessory holder with 20 liter fuel can	✓
Accessory holder with waterproof 12 Litre case PRO	N/A
Rear fuel can holder with 10 liter fuel can	✓
Rear fuel can holder with 20 liter fuel can	✓
Supplementary lashing points (2 pcs)	✓

[Compare all models](#)

Explore X-SERIES™